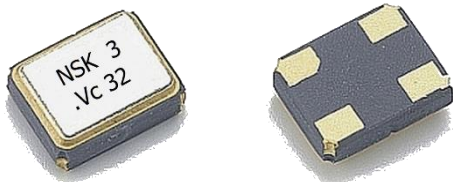
















NAVK Series 3.2 x 2.5

  	VXCO Application :
	<ul style="list-style-type: none">  Broad casting equipment  Sonet / SDH.ATM  FM modulator  AFC circuit  PLL circuit
	Features :
	<ul style="list-style-type: none">  Excellent environmental capability  High accuracy and high reliability  Supply voltage: 3.3V or 1.8V  Low power consumption  Frequency adjustable



Electrical Specification :

Model		NAVK-32
Frequency Range	MHz	1.25 ~ 62.0
Output Type		CMOS
Frequency Stability	PPM	±20 ~ ±50 Min (Vcon at 50% VDC)
Voltage Vol (Max.) / Voh (Min.)		0.1 VDD / 0.9 VDD
Operating Temp Range	°C	-20 ~ +70, or specify
Storage Temp Range	°C	-55 ~ +125
Pullability	PPM	±50 ~ ±100 min., or specify
Power Supply Voltage	VDC	3.3V±10% or 2.5V±10%
Output Symmetry	%	40% ~ 60% or 45% ~ 55%
Current Consumption	mA max	45
Output Load	pF	15
Rise and Fall Time	nS max	6

* Above specification subject to change without prior notice, please consult our sales representative for more information*

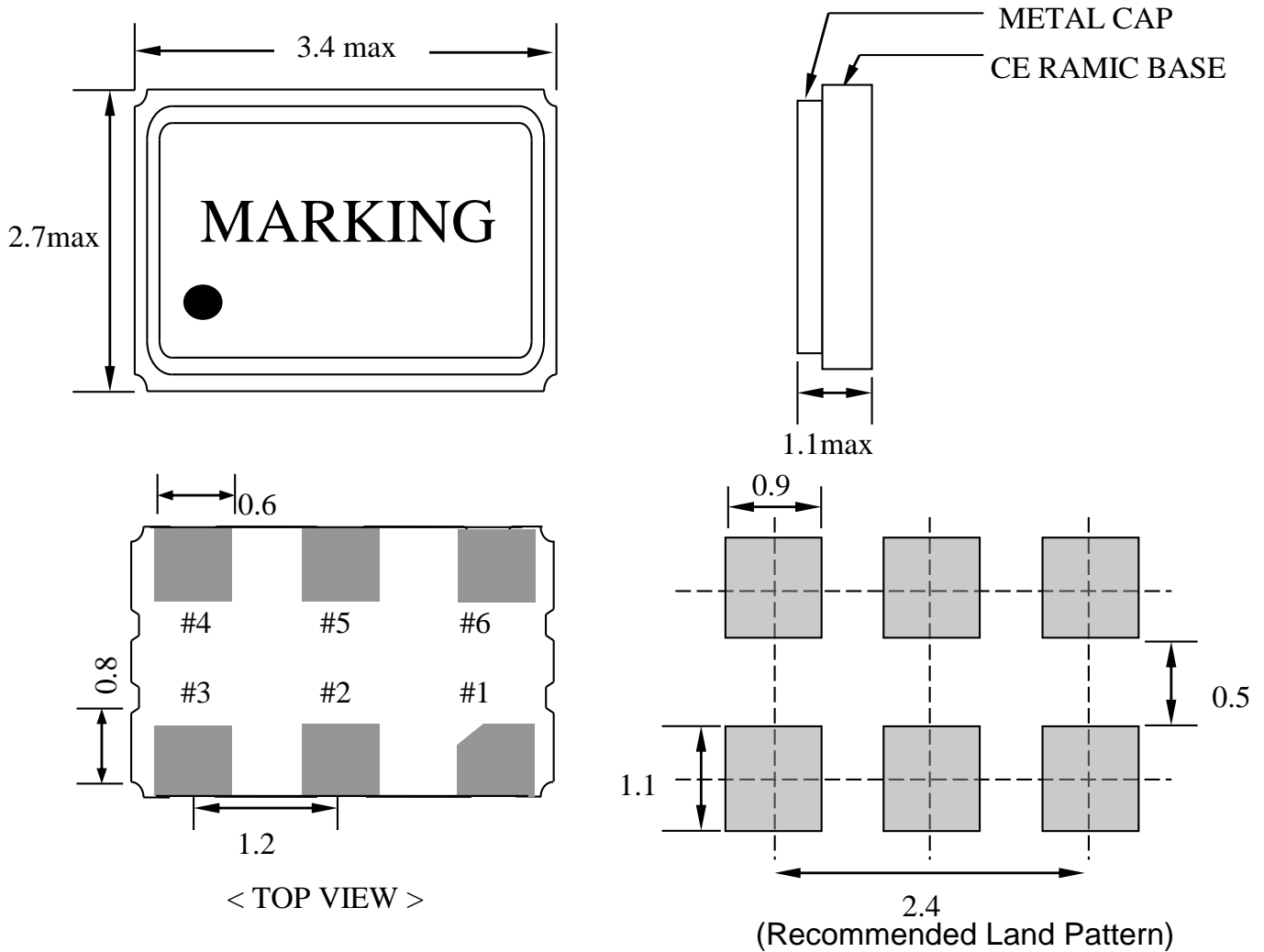
TAIWAN — JENJAAN QUARTEK CORPORATION

Address : 3F-5, No 504 Yun Shan Road, Chung Ho City, Taipei, Taiwan
 Tel : +886-2-8221-4498 Fax : +886-2-8221-4499
 E-mail : jenjaan@jenjaan.com.tw Web : http://www.nsk.com.tw

FACTORY - DONG GUAN ALLIED PROJECT LIMITED

Address : No. 703, Fu Min Zhong Road, Yang Yong Village, Dalang
 Town, Dong Guan, Guang Dong, China Tel : +86-769-8311-9395
 Fax : +86-769-8313-0880 E-mail : alliedj@pub.dgnet.gd.cn

▶ Dimensions (mm) :



# NO.: define		
#6: VDD	#5: Comp Output	#4: Output
#1: Vcon	#2: Tri-State	#3: GND

* Above specification subject to change without prior notice, please consult our sales representative for more information*

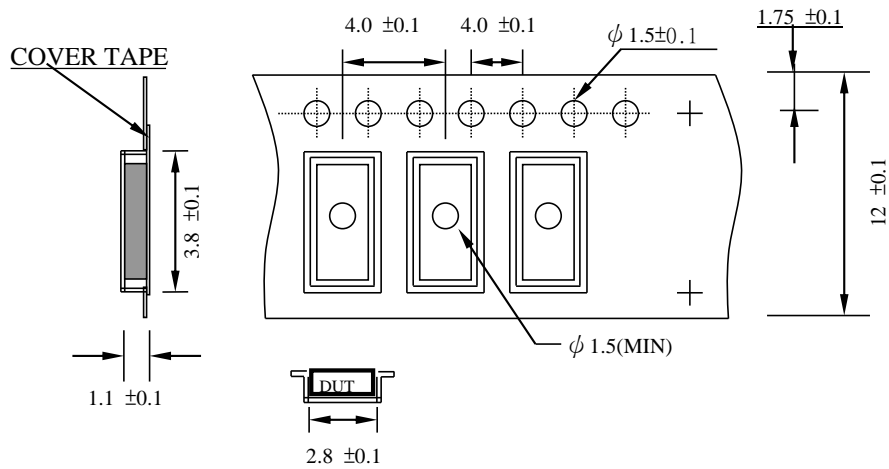
TAIWAN — JENJAAN QUARTEK CORPORATION

Address : 3F-5, No 504 Yun Shan Road, Chung Ho City, Taipei, Taiwan
 Tel : +886-2-8221-4498 Fax : +886-2-8221-4499
 E-mail : jenjaan@jenjaan.com.tw Web : http://www.nsk.com.tw

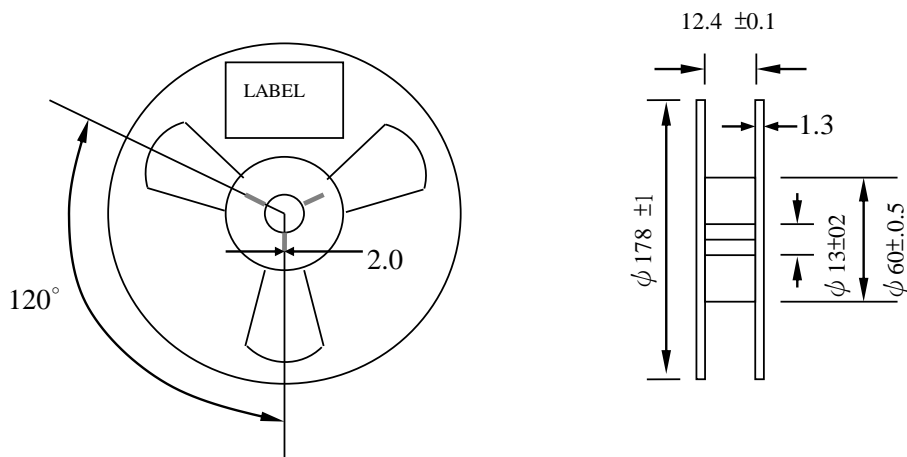
FACTORY - DONG GUAN ALLIED PROJECT LIMITED

Address : No. 703, Fu Min Zhong Road, Yang Yong Village, Dalang
 Town, Dong Guan, Guang Dong, China Tel : +86-769-8311-9395
 Fax : +86-769-8313-0880 E-mail : alliedj@pub.dgnet.gd.cn

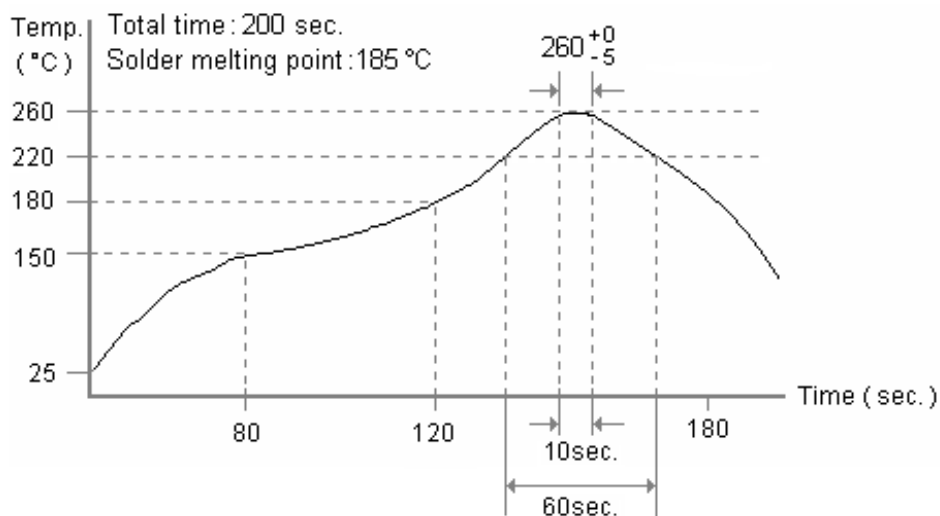
Tape Specification(mm) :



Reel Packing(mm) :



Reflow Temperature Profile :



* Above specification subject to change without prior notice, please consult our sales representative for more information*

TAIWAN — JENJAAN QUARTEK CORPORATION

Address : 3F-5, No 504 Yun Shan Road, Chung Ho City, Taipei, Taiwan

Tel : +886-2-8221-4498

E-mail : jenjaan@jenjaan.com.tw

Fax : +886-2-8221-4499

Web : <http://www.nsk.com.tw>

FACTORY - DONG GUAN ALLIED PROJECT LIMITED

Address : No. 703, Fu Min Zhong Road, Yang Yong Village, Dalang

Town, Dong Guan, Guang Dong, China Tel : +86-769-8311-9395

Fax : +86-769-8313-0880

E-mail : alliedj@pub.dgnet.gd.cn